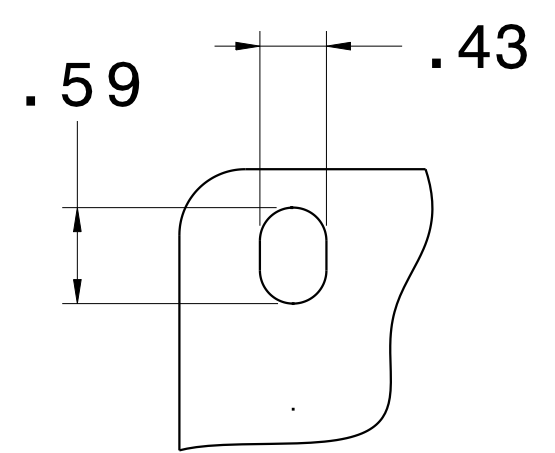
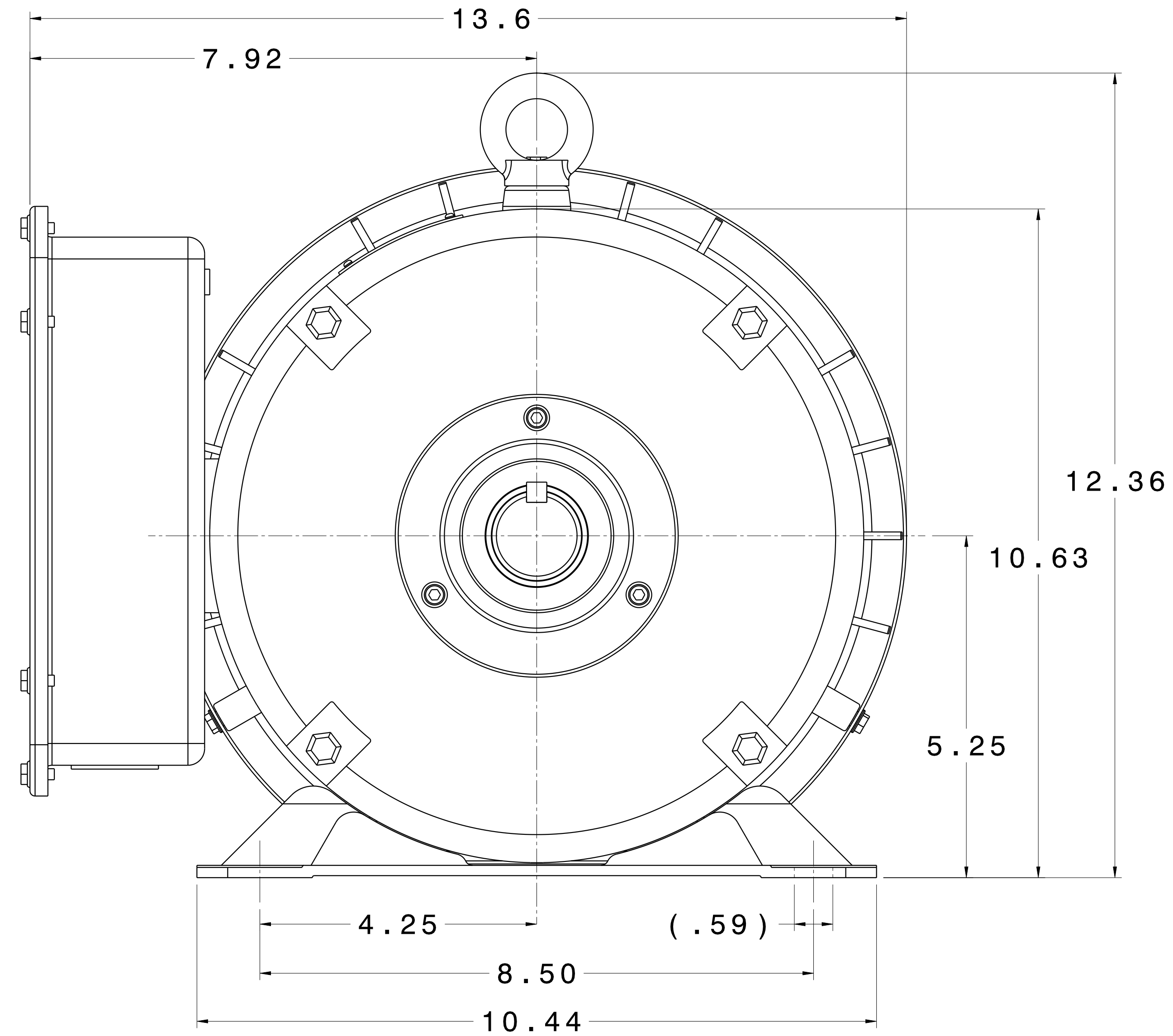
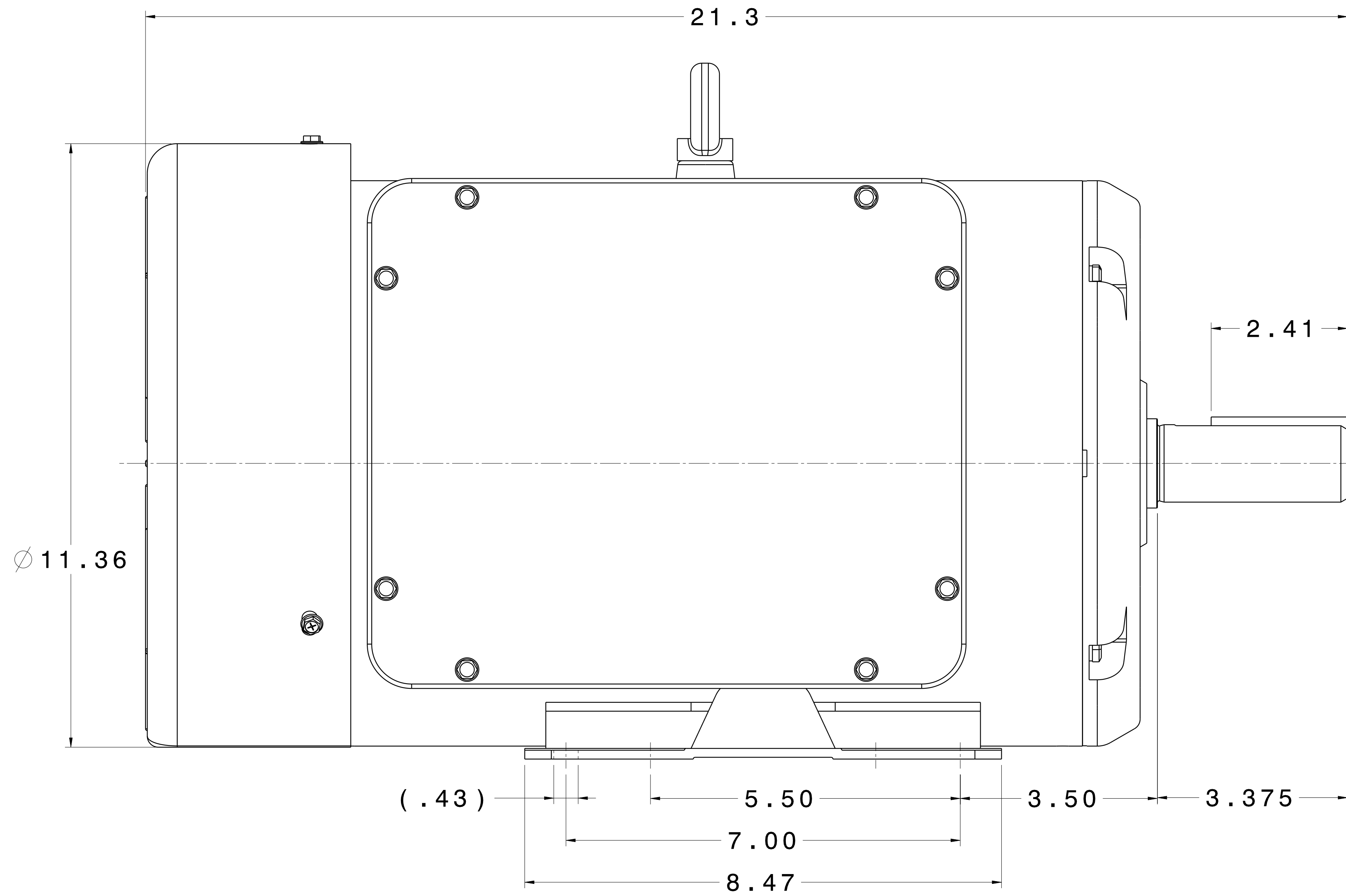
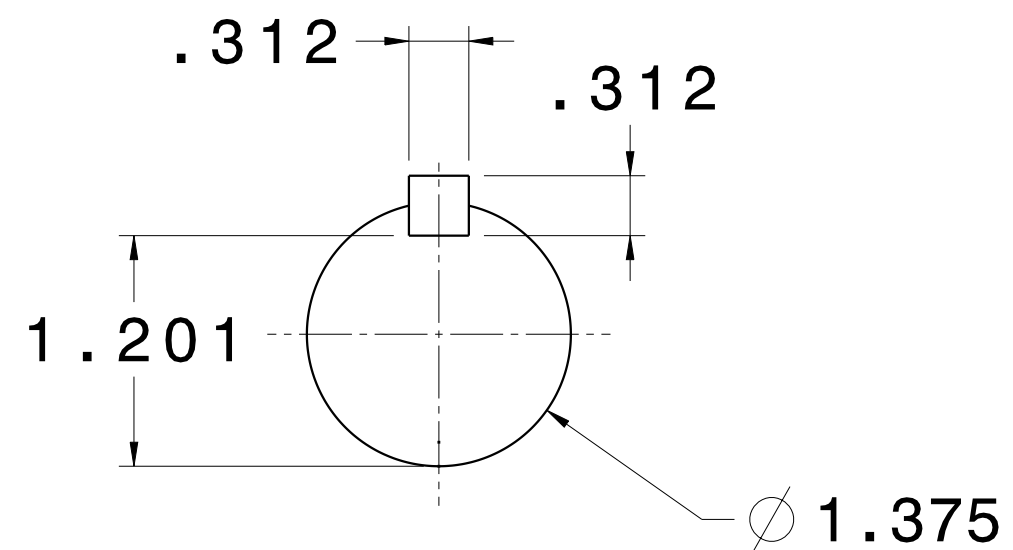


CATALOG #	TYPE	FRAME	OUTPUT		POLE	SYN. SPEED R.P.M.	VOLTAGE V.	Hz.	TIME RATING	INSULATION CLASS	SERVICE FACTOR	BEARINGS		WEIGHT LBS
			HP	kW								DE	NDE	
ST0104	BEGS19	215T	10	7.5	4	1800	208-230	60	CONT.	F	1.15	6208ZZ	6206ZZ	215

TOTALLY ENCLOSED FAN-COOLED TYPE, SQUIRREL-CAGE ROTOR



SLOT DETAIL



SHAFT END (ENLARGED VIEW)

- NOTES:
1. DIMENSIONS IN INCH.
 2. ENCLOSURE: IP44.
 3. FOR BELT SERVICE OR DIRECT COUPLING SERVICE.
 4. BI-DIRECTIONAL ROTATION.

REF: 19040010GE10A	REV. DATA		
	TECO Westinghouse		REV NO 01
	HVAC SINGLE PHASE OUTLINE DIMENSIONS		DWG NO. ST0104
	DWN K. MILNER	090617 APPD T. FELPS	090617
TECO-WESTINGHOUSE MOTOR COMPANY			ROUND ROCK, TEXAS USA